



Spare parts for:  
**COFFEE GRINDERS**

Suitable for:

**AZKOYEN**

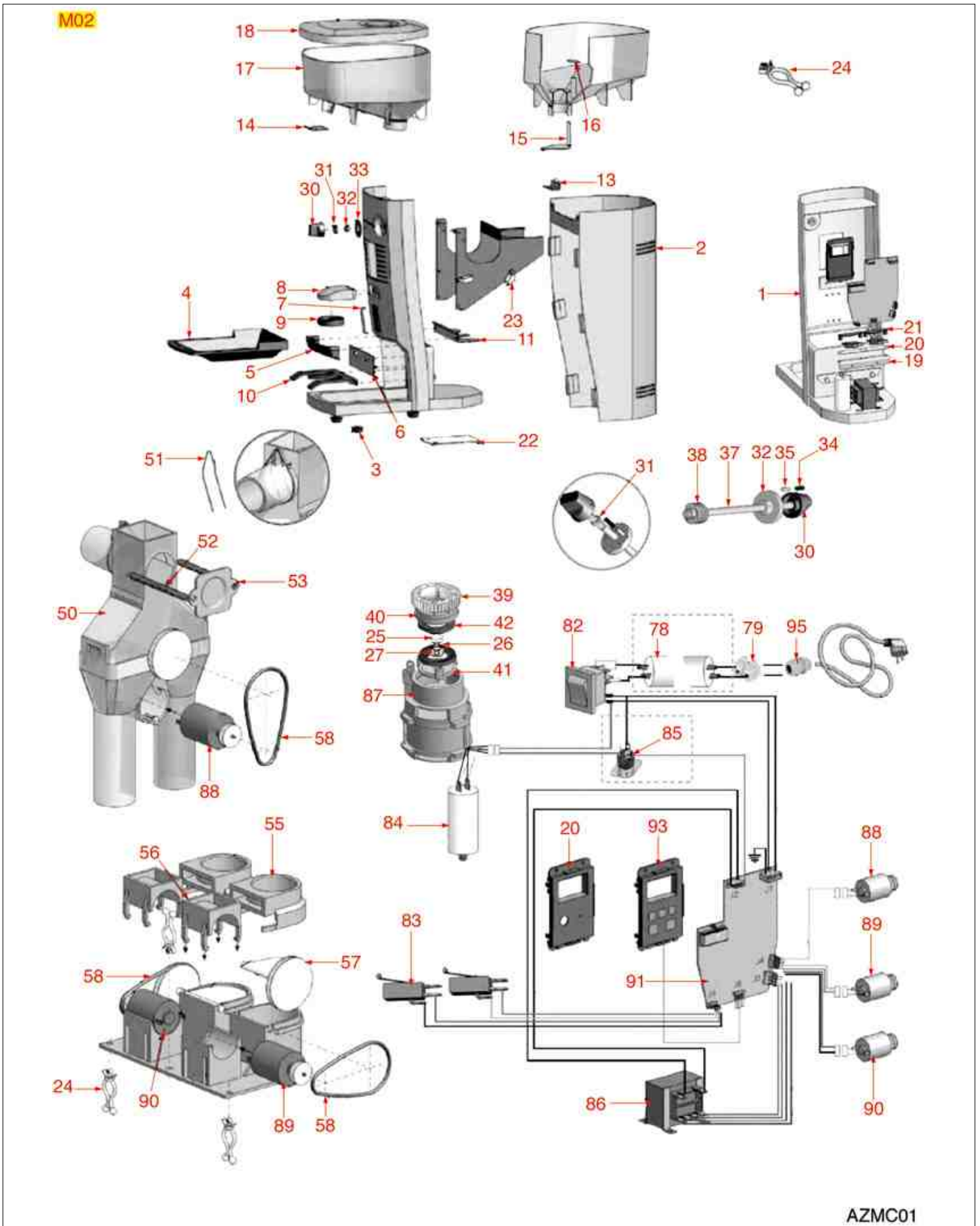


This catalogue is automatically generated.  
Therefore, the sequence of the items might  
not be always shown at best.  
Updates will be issued in case of additions  
and/or amendments.

***This document may not include universal spare parts***



## COFFEE GRINDER M02



AZMC01

Positions without LF code no.: upon request



# AZKOYEN



| Position | LF code no. | Description                    |
|----------|-------------|--------------------------------|
| 4        | 1260003     | COFFEE COLLECTING TRAY         |
| 17       | 1080092     | COFFEE HOPPER                  |
| 18       | 1080093     | COFFEE HOPPER LID              |
| 41       | 1251130     | GRINDING BURRS BOTTOM HOLDER   |
| 42       | 1251129     | GRINDING BURRS PAIR AZKOYEN LH |
| 52       | 1250194     | SPRING $\varnothing$ 5x77 mm   |
| 58       | 3186245     | O-RING 03200 EPDM              |
| 82       | 3319012     | GREEN BIPOLAR SWITCH 16A 250V  |
| 83       | 3240568     | MICROSWITCH EF83161.3 250V 16A |



Suitable for:

Suitable for:

## Clips for pumps

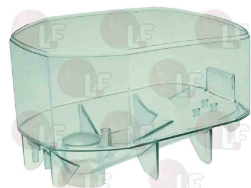
1168011 STAINLESS STEEL CLAMP FOR FLANGE PUMP



AZKOYEN

## Drawers

1080092 COFFEE HOPPER



AZKOYEN

1080093 COFFEE HOPPER LID



AZKOYEN

## Gaskets and seals

3186245 O-RING 03200 EPDM



AZKOYEN

## Grinders

1251130 GRINDING BURRS BOTTOM HOLDER



AZKOYEN

1251129 GRINDING BURRS PAIR AZKOYEN LH

external  $\varnothing$  64 mm - internal  $\varnothing$  37 mm  
thickness 8.6 mm - 3 mounting holes



AZKOYEN

## Ironmongery (screws-nuts-washers-etc.)

1528012 CROSS HEAD SCREW M5x14 UNI 7687



AZKOYEN

## Microswitches

3240568 MICROWITCH EF83161.3 250V 16A  
for F series



AZKOYEN

## Springs

1250194 SPRING  $\varnothing$  5x77 mm



AZKOYEN

## Switches

3319012 GREEN BIPOLAR SWITCH 16A 250V  
with indicator lamp and switch cover  
"0 - I" symbol screenprinted  
max temperature 120°C  
mounting hole 22x30 mm



AZKOYEN

## Trays

1260003 COFFEE COLLECTING TRAY



AZKOYEN

*The data herewith contained may change without notice and LF SpA cannot be held responsible for possible errors stated or resulting by the use of this document. All rights reserved. No part of this publication may be reproduced without written permission by LF SpA.*



**LF SpA**

via Voltri, 80 – 47522 Cesena (FC) ITALIA  
Tel. +39 0547 34 11 11 – Fax +39 0547 34 11 10  
www.lfricambi724.it – www.lfricambi724.mobi  
info@lfricambi.it  
Export Dept.: Tel. +39 0547 34 11 50 – Fax: +39 0547 34 11 55  
www.lfspareparts724.com – www.lfspareparts724.mobi  
export@lfspaceparts.com

**FRANCE**



**EPGC**

13, Rue des Forts - 59960 Neuville-en-Ferrain  
Tél. +33 (0)3 20 25 06 21  
Fax +33 (0)3 20 25 34 12  
www.epgc.com  
epgc@epgc.com

**DEUTSCHLAND**



**LF GmbH**

Junkersstrasse, 1 – D-82178 Puchheim – München  
Tel. +49 89 89 45 78 66  
Fax +49 89 89 45 78 88  
www.lfersatzteile724.de  
www.lfersatzteile724.mobi  
info@lfersatzteile.de

**SCHWEIZ**



**LF GmbH Verkaufsbüro**

Sennweidstrasse, 45 – CH-6312 Steinhausen  
Tel. +41 (0)41 760 15 80-1  
Fax +41 (0)41 760 15 85  
www.lfersatzteile724.ch  
www.lfersatzteilech724.mobi  
info@lfersatzteile.ch

**ESPAÑA**



**LF oficina de venta**

Calle Ciudad real, 10 – 45517 Escalonilla – Toledo  
Tlf. +34 925 75 83 23  
Fax +34 925 75 82 09  
www.lfrepuestos724.es  
www.lfrepuestos724.mobi  
info@lfrepuestos.es

**ESPAÑA**



**DAGA Accesorios S.L.**

Calle Ciudad Real, 10 – 45517 Escalonilla – Toledo  
Tlf. +34 914 77 91 00  
Fax +34 914 77 90 81  
www.dagarepuestos724.es  
comercial@dagarepuestos.es

**RUSSIA**



**OOO LF**

ul. Anatoliya Zhivova, 8 – office 1 – 123100 Moscow  
Tel. +7 499 259 85 75  
Fax +7 495 725 26 53  
www.lfspareparts724.ru  
www.lfspareparts724.mobi  
info@lfspaceparts.ru

**CHINA**



**LF China**

Room 102, House 8, Lane 725, Mao Tai Rd.  
Changning Dist. – 200336 Shanghai  
Tel. +86 (0)21 33 53 66 31  
Fax +86 (0)21 33 53 66 32  
www.lfspareparts724.com  
www.lfspareparts724.mobi  
china@lfspaceparts.com